



**SewEzi<sup>TM</sup> Portable Sewing Table**  
Your “Go To” sewing station

**Assembly Instruction**

Quick steps to get your SewEzi<sup>TM</sup> sewing table ready for sewing



**Thank you for your purchase!**

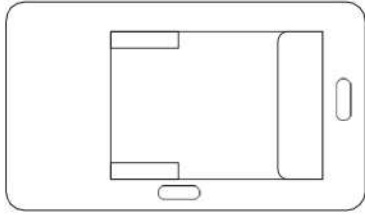
Thank you for buying your SewEzi<sup>TM</sup> Sewing Table. We're confident that you'll find the SewEzi<sup>TM</sup> the best sewing table you've ever used! Please take a few moments to review these simple assembly instructions prior to starting.

**What you will need**

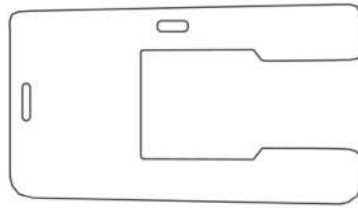
Everything you need to assemble your SewEzi<sup>TM</sup> Sewing Table in just minutes is included.

The only things you will need are a **large flat spot** (such as a dining room table or clear floor space) and a soft pad (like bathroom towels or a blanket to prevent marring).

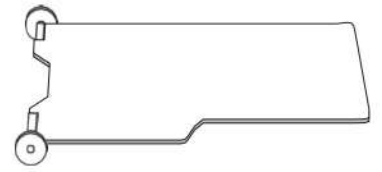
# Contents



**1x Protective Carry Bag**



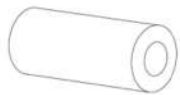
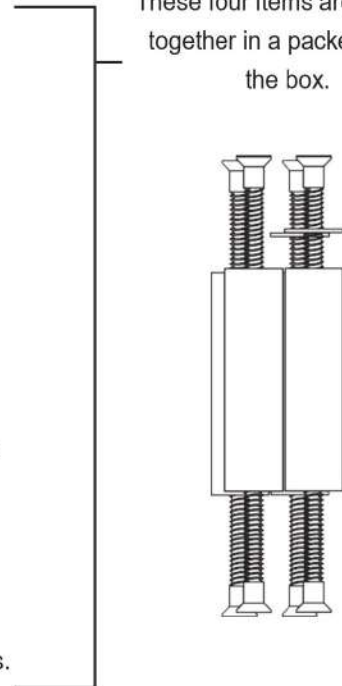
**1x SewEzi Table Top**  
with legs attached



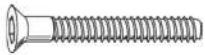
**1x Sewing Machine Tray**  
with wheels attached

## PLEASE NOTE:

These four items are bagged together in a packet inside the box.



**4 x Sewing Machine Tray Hangers**



**8 x Allen Head Screws**



**2 x Steel Washers**



**1 x Allen Wrench** (also called a hex wrench)



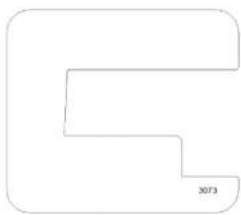
3mm



1.5mm

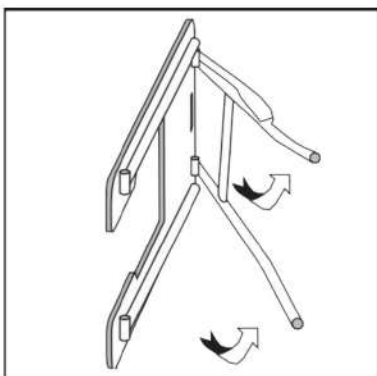
**Flat Spacers** for assembling your SewEzi™ Sewing Table and adjusting the height of your sewing machine with the table top (level either with the needle surface or the free arm surface). There are 16 x thick (3 mm) spacers for assembly and four x thin (1.5 mm) spacers for fineadjustments.

Please note that not all sewing machines requires these spacers.

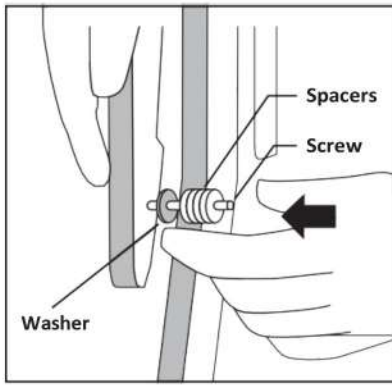


**1 x Acrylic Sewing Machine Insert**

# Assembly

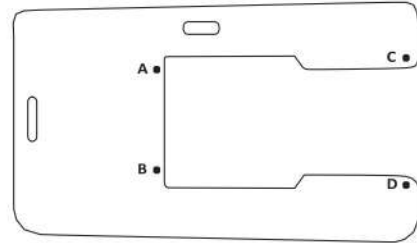


**Step 1.** Lay a towel or blanket on the floor and lie the SewEzi™ Table Top down on its long edge. Unfold one of the legs so that the table balances on its own.



### Step 2.

Take four of the Allen Head Screws and insert them in the four round holes in the top of the table. Two of the screws **A** and **B** (see below) will run through the purple frame, while Screws **C** and **D** will not. Place a **Steel Washer** on Screws **C** and **D**.



**IMPORTANT**

When using this insert with your SewEzi table, add

**0 1 2 3 4 6** \_\_\_\_\_

extra plastic spacers.

These are placed on each of the four Allen head screws used to attach the sewing machine threaded posts to the bottom of the tabletop.

See step 2 of your assembly instructions

*SewEzi*

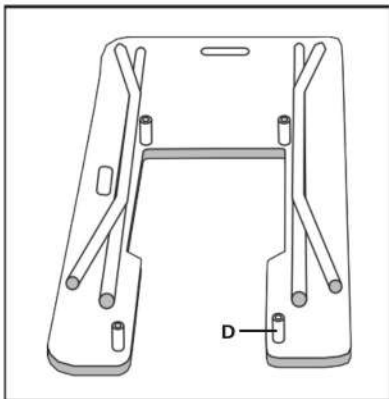
Look at the bag containing the **Acrylic Insert**. The sticker on the bag (see left) tells you how many spacers (3mm) to put on the screws. For example: if the bag has the number 4 on it, you will use 4 spacers on each screw. If there is no sticker then you don't need any spacers.

**NOTE: If you received four short sewing machine threaded posts, use them instead of the standard sewing machine threaded posts.**



### Step 3.

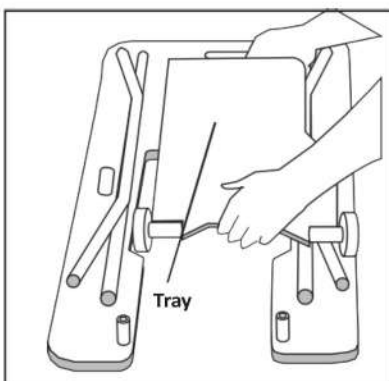
Thread a **Sewing Machine Tray Hanger** onto each screw. Tighten each screw with the **Allen Wrench**—DO NOT OVER-TIGHTEN!



### Step 4.

Close the table leg and carefully lay the SewEzi™ Sewing Table flat on the added surface.

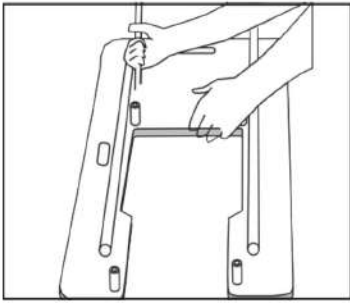
If you purchased the caddy with your table, take it out of its box and place upside down on the hanger marked **D**. Then place the plastic spacer that came with the caddy on the hanger **D**.



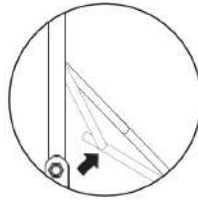
### Step 5.

Take the Sewing Machine Tray and position it on the Sewing Machine Tray Hangers as shown. Align the four holes in the tray with the holes in the spacers. Insert the four remaining Allen Head Screws in the holes and tighten the screws using the Allen Wrench – DO NOT OVER-TIGHTEN!

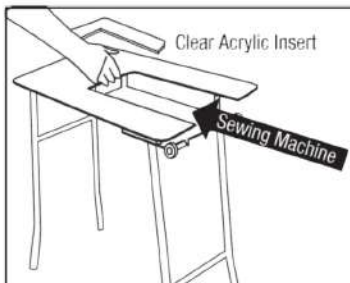
**Continued on next page**



**Step 6.** Extend the legs and secure them into position by gently pulling on the leg hinge braces until they snap into place. Take care not to pinch your fingers.



**Step 7.** Carefully flip your SewEzi™ Sewing Table over onto its legs.



**Step 8.** Place the Acrylic Table Insert into the opening in the top of the SewEzi™ table. Slide your sewing machine onto the Sewing Machine Tray.

**You're now ready to sew!**

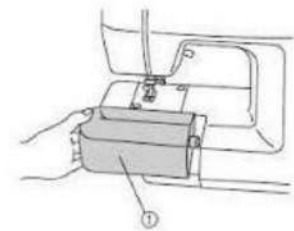
## FAQ's about your SewEzi Portable Sewing Table

### What do I do if my leg hinges are too tight?

If the hinges are too tight, do not try and force them by pulling hard on the leg as this can damage the connection to the top. Spray a lubricate on the folding part of the hinge and operate the hinge by straightening it out in the centre. Sometimes the new hinges are tight and they will free up after several openings.

### Why does my insert not fit my sewing machine?

The most common reason that an insert does not fit is because the attachment on the free arm has not been removed. The SewEzi acrylic inserts are designed to fit the free arm once any extensions or attachments have neem removed. Check to see if parts of the free arm pull off, usually they slide out towards the front of click off.



### Can I move my table with the sewing machine in it?

**NO.** Do not move your SewEzi Portable Sewing Table with the sewing machine installed. Always remove the machine before moving the table. Moving the table with the machine installed risks damage to both the table and the sewing machine.

### My sewing machine sits too high or too low, how do I adjust it?

You can adjust the height of your sewing machine in relation to the acrylic insert by adding or removing the plastic spacers. This is achieved by adding or removing the little plastic spacers (discs) threaded onto the white rods that attach the sewing machine platform. There are 3mm (1/8") spacers and 1.5mm (1/16") for fine tuning the height.

## Questions

If you should have any questions about your SewEzi™ Sewing Table, please contact your stockists by visiting [www.sewezi.com](http://www.sewezi.com).